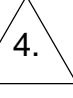
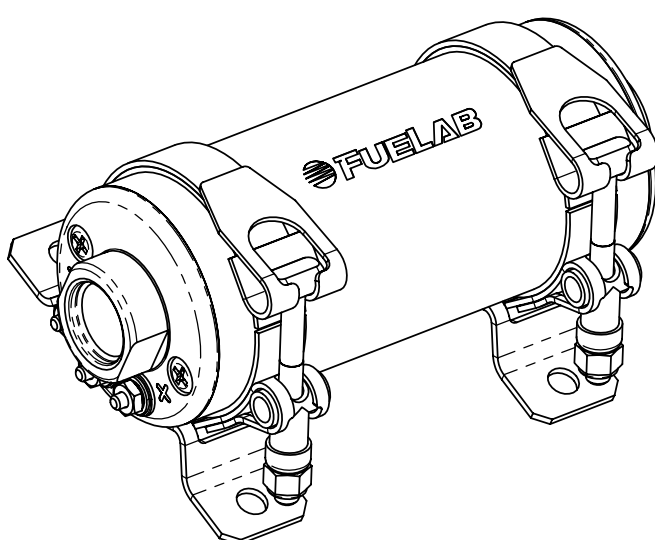
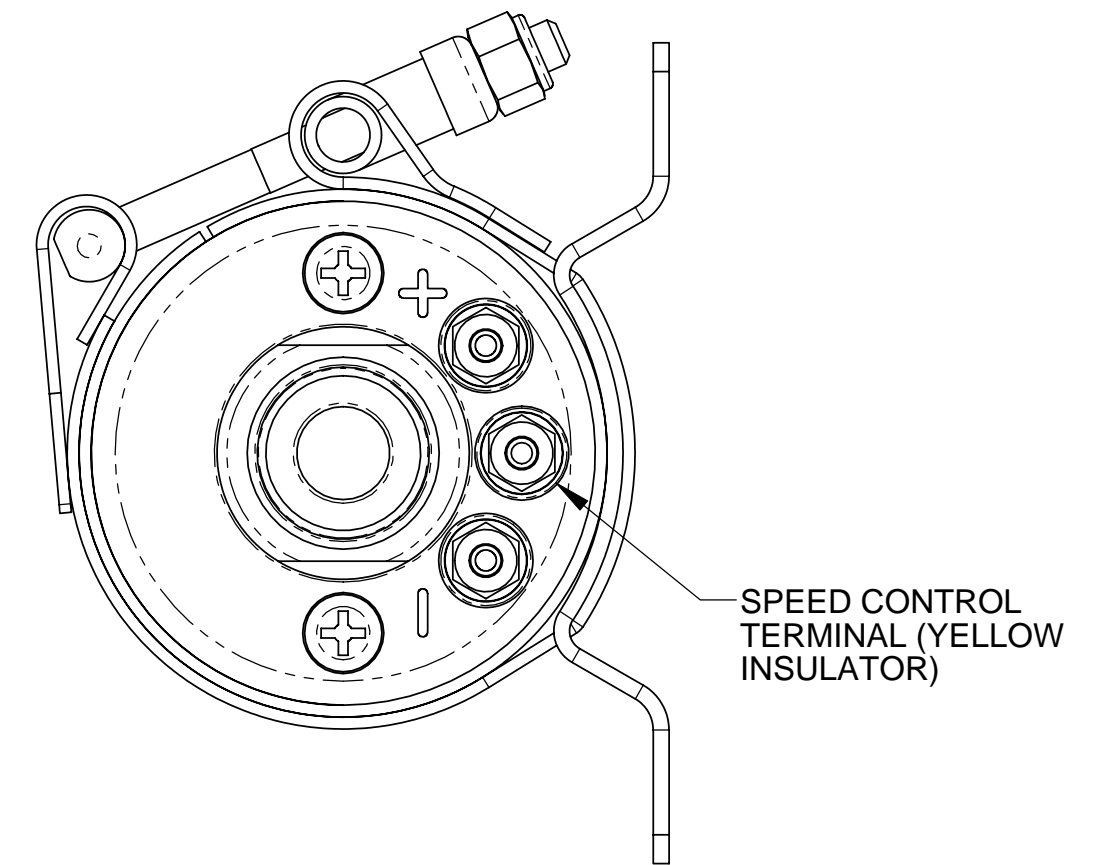
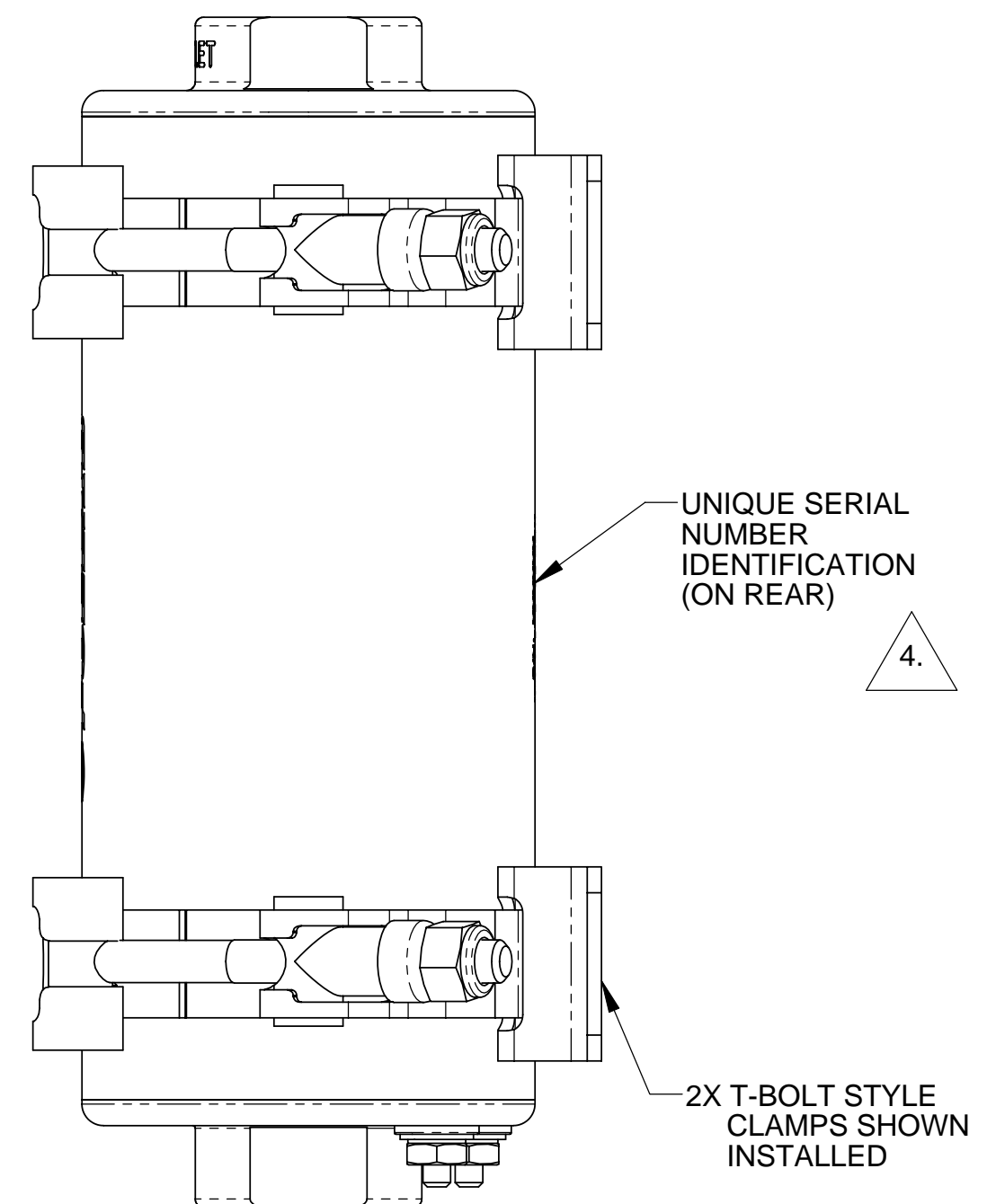
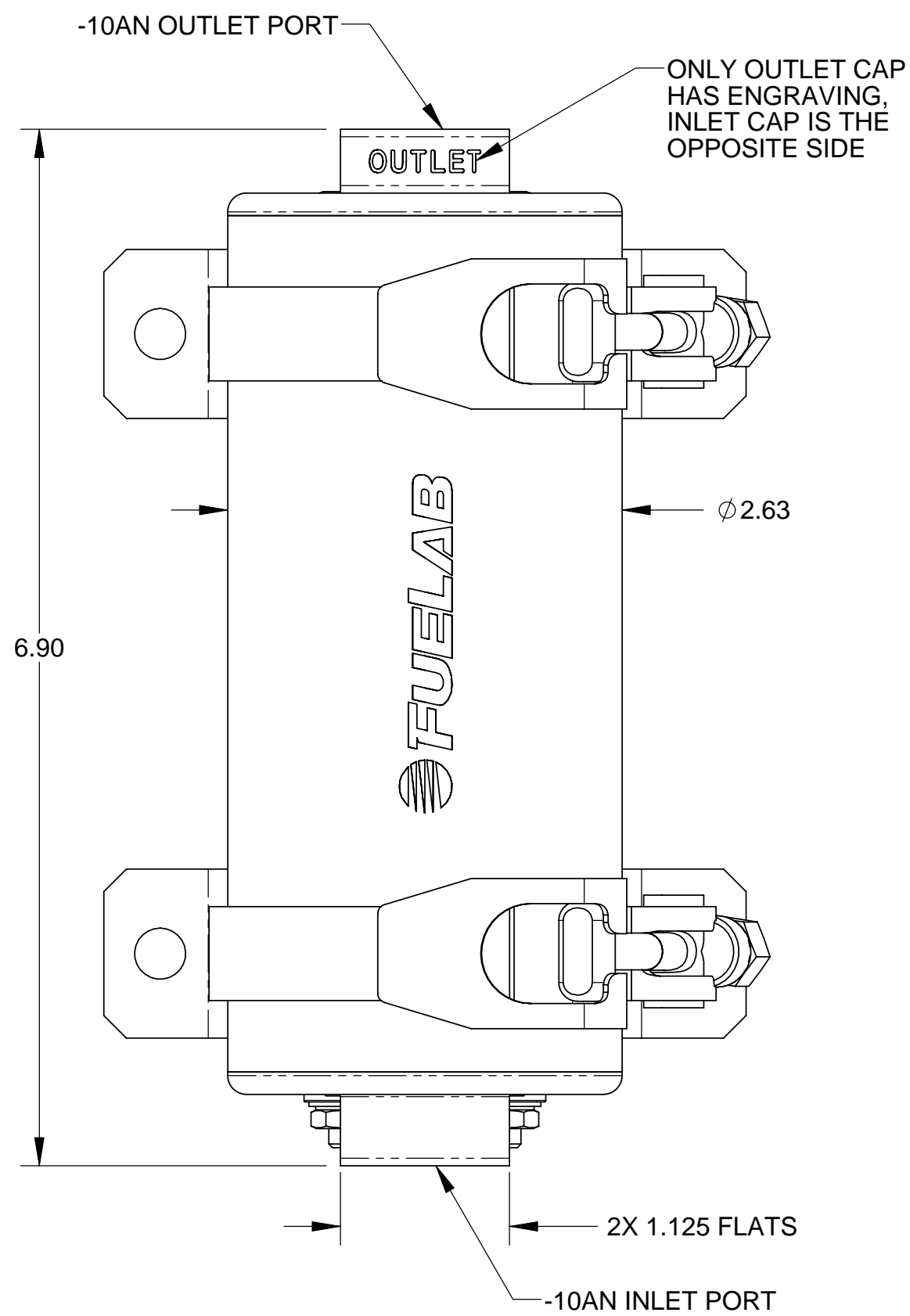


NOTES:

1. THIS DRAWING DESCRIBES THE FUELAB 424xx SERIES ELECTRONIC FUEL PUMP.
2. FEATURES INCLUDE:
 - THREE PHASE DC BRUSHLESS MOTOR WITH NEODYMIUM MAGNETS
 - INTEGRATED ELECTRONICS WITH SPEED CONTROL
 - WET MOTOR DESIGN, WITHOUT DYNAMIC SHAFT SEALS
 - BILLET ALUMINUM, STAINLESS STEEL CONSTRUCTION WITH FLUOROSILICONE SEALS
 - STANDARD T-BOLT STAINLESS STEEL BRACKETS INCLUDED
3. FUEL COMPATIBILITY INCLUDES:
 - GASOLINE (PUMP OR RACE)
 - METHANOL
 - ETHANOL (INCLUDING E85)
 - DIESEL
4.  UNIQUE SERIAL NUMBER DOES NOT CONTAIN DIRECT INFORMATION IN DETERMINING MODEL NUMBER. CONTACT FUELAB FOR DETERMINATION OF MODEL NUMBER BASED ON SERIAL NUMBER.
5. TWO (2) T-BOLT STAINLESS STEEL BRACKETS, O-RINGS, INSTRUCTIONS AND PERFORMANCE CERTIFICATION INCLUDED, BAGGED SERPARATELY FROM PUMP.
6. 8-18 VOLT OPERATING RANGE, USE ONLY 12 VOLT (6 CELL LEAD ACID BATTERY) VEHICLE SYSTEMS WITH OR WITHOUT CHARGING SYSTEM, OR 16 VOLT (8 CELL LEAD ACID BATTERY) VEHICLE SYSTEMS WITHOUT CHARGING SYSTEM.
7. ALL MODEL 424xx SERIES PUMPS REQUIRE BYPASS REGULATOR OR RELIEF VALVE TO AVOID OVER-PRESSURE OPERATING CONDITION.
8. SEE TABLES BELOW FOR DETERMINATION OF DESIRED MODEL NUMBER



**ISOMETRIC VIEW
SCALE: 1/2**

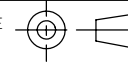
MODEL SELECTION TABLE

MODEL	FLOW RATING, AT 13.5v	FLOW RATING, AT 13.5v	MAX. PRESSURE
42401-c	170 GPH AT 45 PSI	640 LPH AT 3 BAR	125 PSI (8.5 BAR)
42402-c	190 GPH AT 45 PSI	720 LPH AT 3 BAR	100 PSI (6.8 BAR)

COLOR CODE, c

c	SLEEVE COLOR	CAPS COLOR
1	BLACK	BLACK
2	RED	CLEAR
3	BLUE	CLEAR
4	PURPLE	CLEAR
5	GOLD	BLACK
6	GREEN	CLEAR

UNLESS OTHERWISE SPECIFIED:
 INTERPRET DWG PER ANSI Y14.5
 DIMENSIONS ARE IN INCHES
 TOLERANCES:
 FRACTIONAL: ±1/64"
 ANGULAR: ±1/2°
 DECIMALS:
 X±1 .XX±.03 .XXX±.010
 SURFACE FINISH 128 OR BETTER
 BREAK ALL SHARP EDGES .010 MAX
 REMOVE ALL BURRS

THIRD ANGLE PROJECTION 

DO NOT SCALE DRAWING

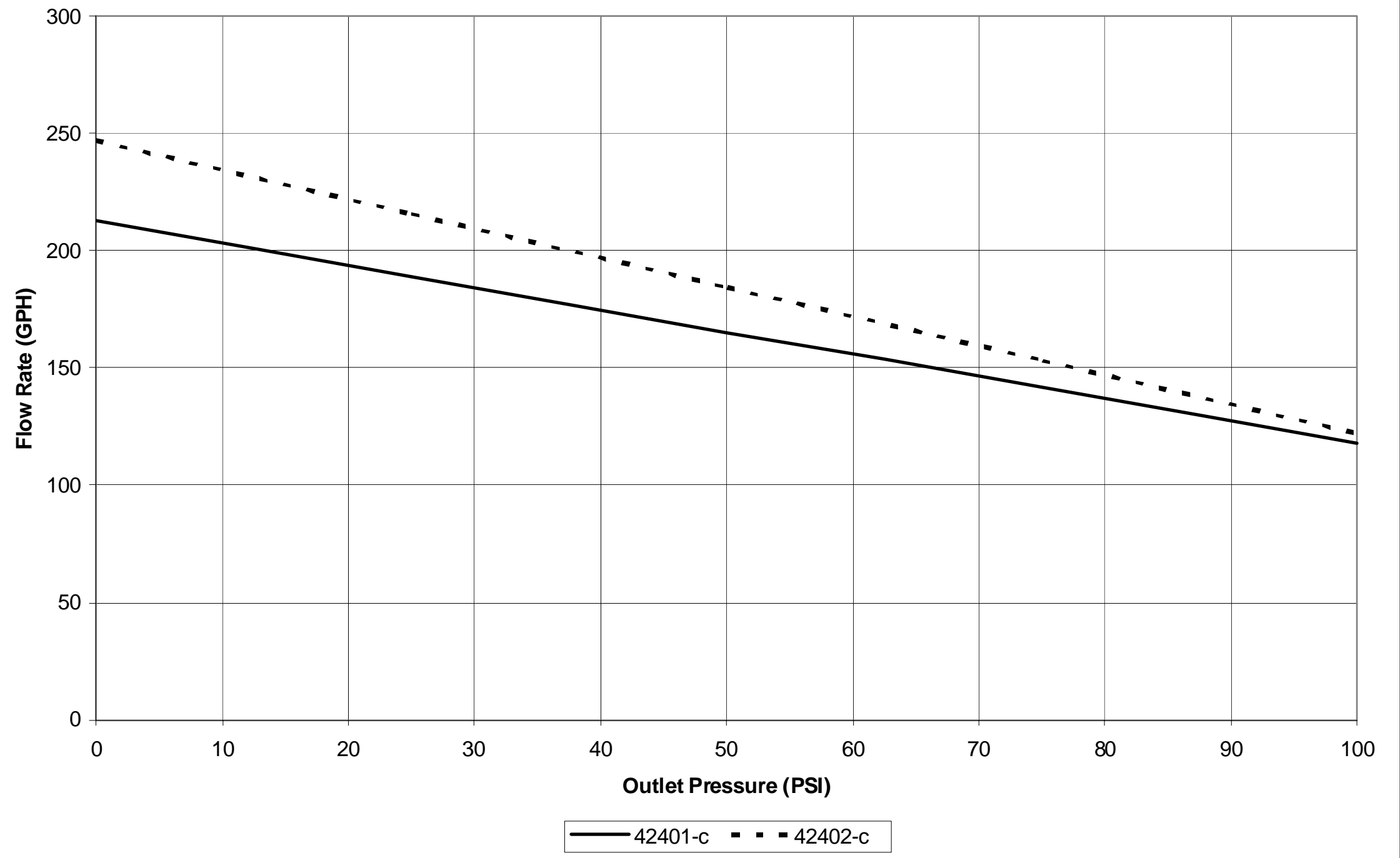
FUELAB
 DIGITAL FUEL DELIVERY Litchfield, Illinois

TITLE:
**ELECTRONIC FUEL PUMP,
 424xx SERIES**

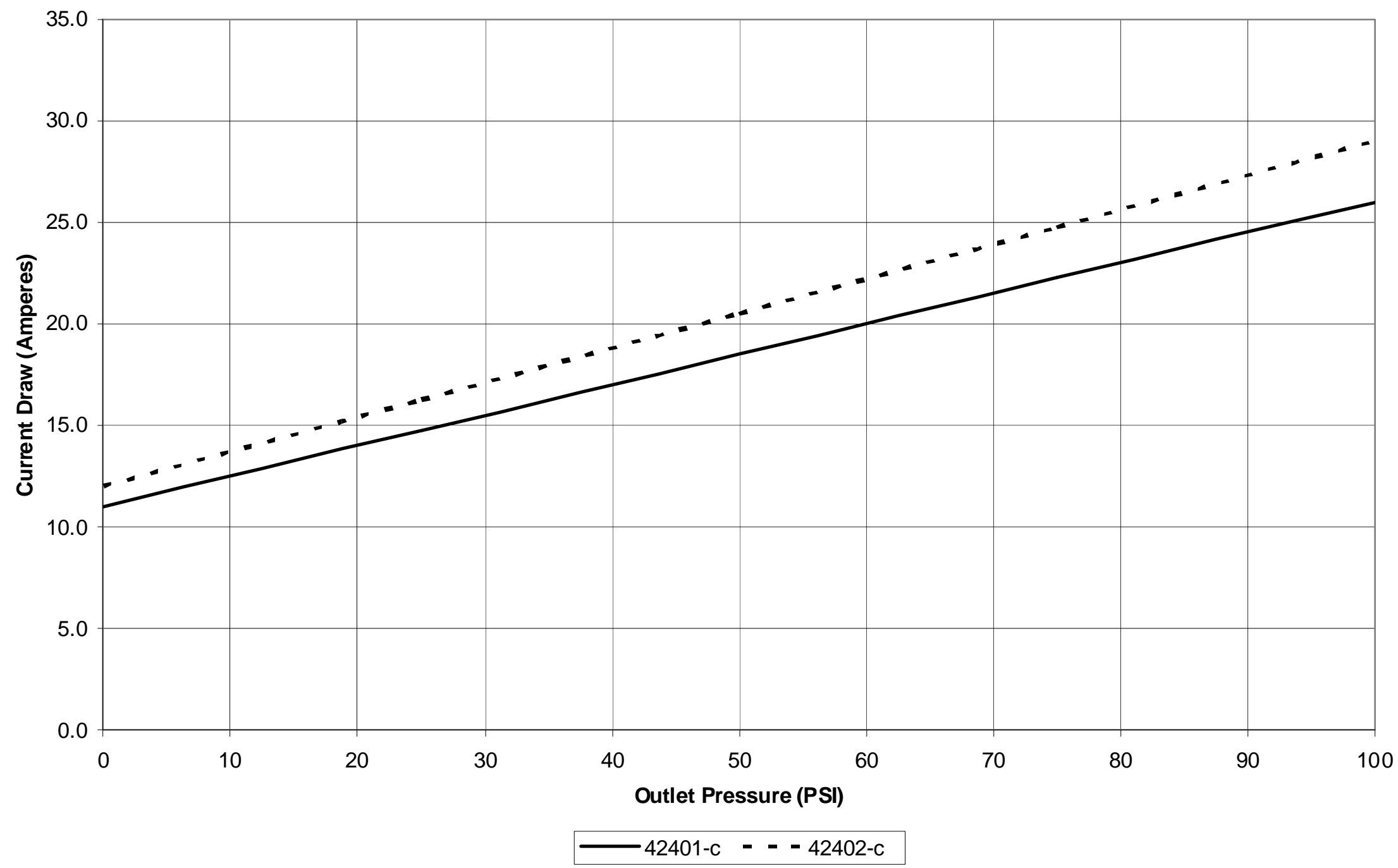
SIZE	DWG. NO.	REV
C	110020200	


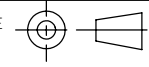
SCALE: 1/1 WEIGHT: SHEET: 1 OF 2

Flow Performance, 424xx Series, at 13.5 Volts



Current Draw Performance, 424xx Series, at 13.5 Volts



UNLESS OTHERWISE SPECIFIED: INTERPRET DWG PER ANSI Y14.5 DIMENSIONS ARE IN INCHES TOLERANCES: FRACTIONAL: ±1/64" ANGULAR: ±1/2° DECIMALS: X±1 .XX±.03 .XXX±.010 SURFACE FINISH $\sqrt{128}$ OR BETTER BREAK ALL SHARP EDGES .010 MAX. REMOVE ALL BURRS		 <i>Litchfield, Illinois</i>	
THIRD ANGLE PROJECTION 		TITLE: ELECTRONIC FUEL PUMP, 424xx SERIES	
SIZE C	DWG. NO. 110020200	REV	
SCALE: 1/1	WEIGHT:	SHEET: 2 OF 2	